

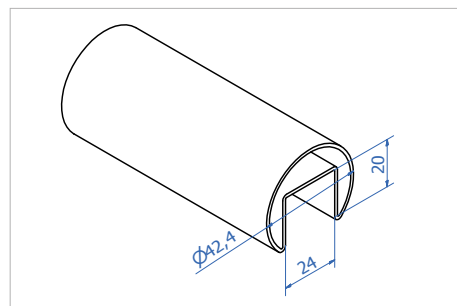
# Round handrail on the glass

## Ø42.4x1.5 slot tube



Code	Material
HRDS424.304	304
HRDS424.316	316

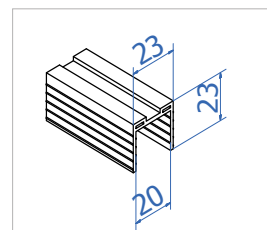
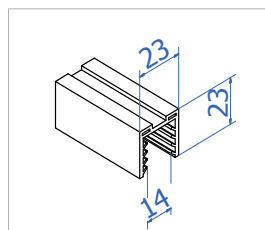
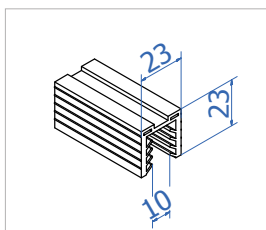
INFO: Surface finishing: brushed



## Rubber gaskets Ø42.4x1.5 for slot tube



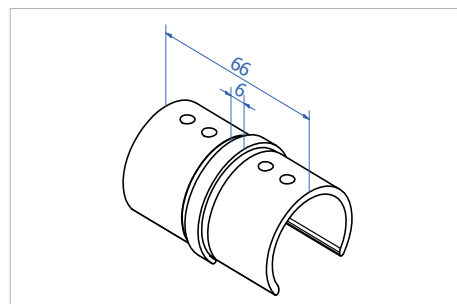
Code	Glass thickness
HRDS.R12	12-13.5 mm
HRDS.R16	16-17.5 mm
HRDS.R20	20-21.5 mm



## Ø42.4x1.5 slot tube connector 180°



Code	Material
HRDS.EG215	316

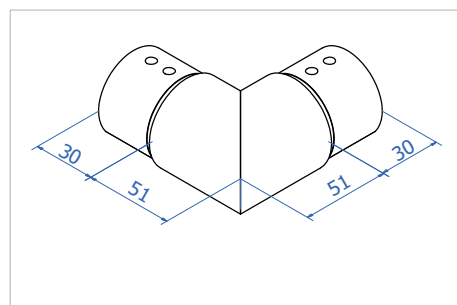


INFO: Use adhesive HR.GLUE

## Ø42.4x1.5 slot tube connector 90°



Code	Material
HRDS.EG115	316

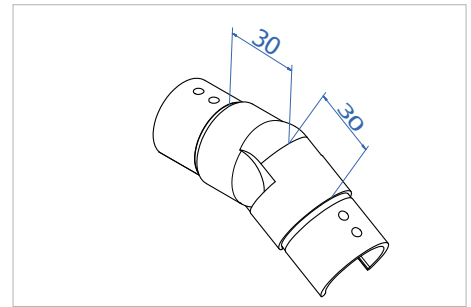


INFO: Use adhesive HR.GLUE

Ø42.4x1.5 slot tube connector for the stair rise, upper



Code	Material
HRDS.EG815	316

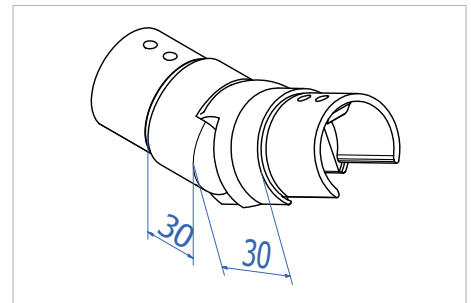


INFO: Use adhesive HR.GLUE  
Adjustable angle 130-180°

Ø42.4x1.5 slot tube connector for the stair rise, lower



Code	Material
HRDS.EG915	316

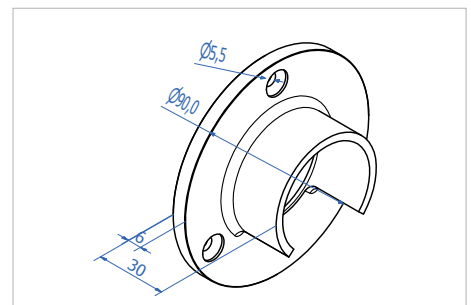


INFO: Use adhesive HR.GLUE  
Adjustable angle 130-180°

Ø42.4x1.5 slot tube wall flange



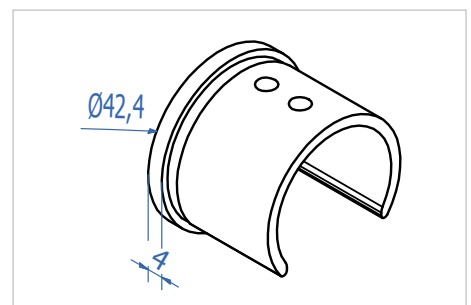
Code	Material
HRDS.EG515	316



Ø42.4x1.5 slot tube end cap



Code	Material
HRDS.EG315	316



INFO: Use adhesive HR.GLUE

**R · FIX**

[www.rfix.eu](http://www.rfix.eu)