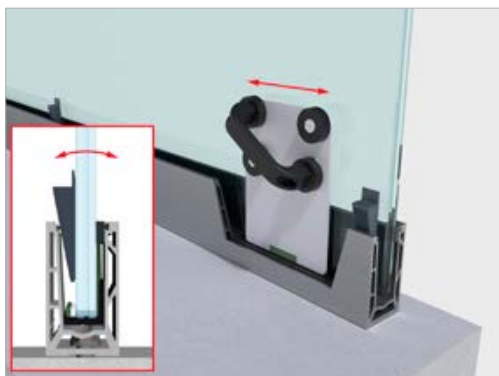




Full glass railings

GPR1 full glass railing profile

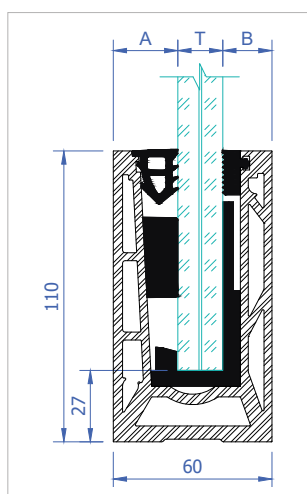
GPR1 – adjustable system for linear load up to 1.5 kN/m



- Glass can be levelled in the profile, which significantly reduces installation time
- Glass thicknesses (mm): 10; 12; 12.76; 13.52; 16.76; 17.52; 20.76; 21.52
- Profiles with bottom fastening and side fastening are available
- Spacing of the fastening openings is 250 mm
- Lengths of the profiles are 3 m and 6 m, custom measures are available
- Surface finishing: brushed stainless anodized/bare aluminium/ RAL powder coated
- Integrated drainage channel
- The system has been tested with a linear load of 2.25 kN/m

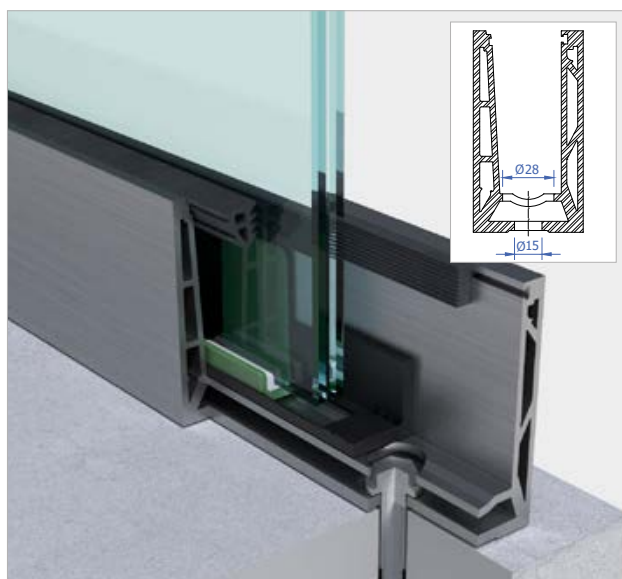
INFO: see video <https://www.youtube.com/user/RFIXproduction>

Measures of GPR1 system

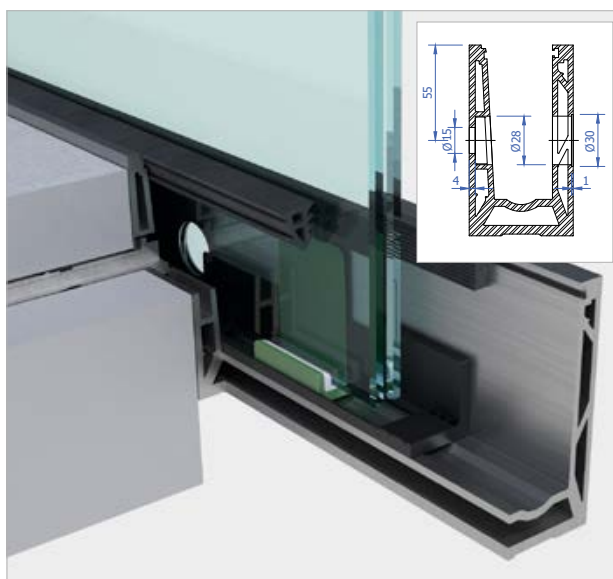


Glass T	A	B
10	25	25
12	25	23
12.76	25	23
13.52	24	23
16.76	25	19
17.52	24	19
20.76	21	19
21.52	20	19

GPR1 system with bottom fastening



GPR1 system with side fastening



Spacing of GPR1 fastening openings is 250 mm

Necessary fastening accessories: M12 wedge anchor/chemical anchor/concrete screw

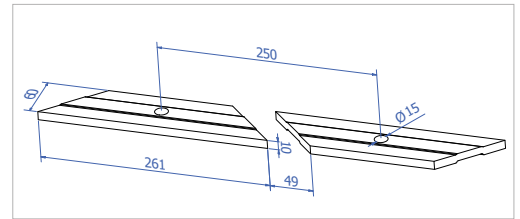
Accessories

Drainage block for GPR1 bottom fastening profile



Code	Material
GPRD.WD1	Aluminium, brushed stainless anodized

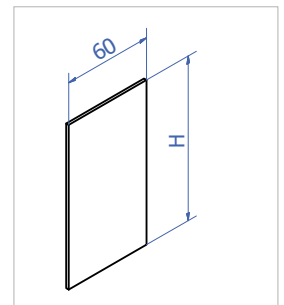
INFO: 4 pcs per metre. Raises the profile 10 mm higher from the floor.



GPR1 profile end plate



Code	Height H	Material
GPD.EC	110	Brushed stainless steel
GPD.ECS	155	Brushed stainless steel

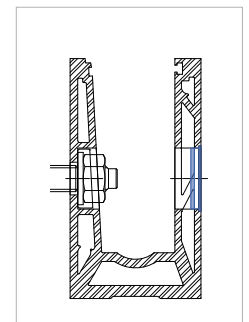
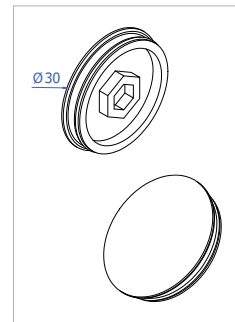


Cover cap for GPR1 side fastening profile



Code	Material	Surface finishing
GPRD.SC1	ABS plastic	Brushed stainless effect
GPRD.SC2	ABS plastic	Smooth, for RAL colour

INFO: 4 pcs per metre.

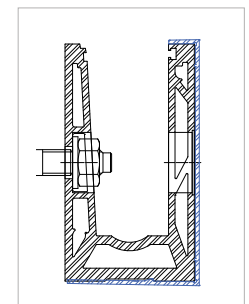
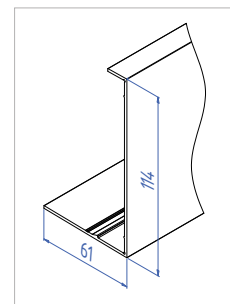


Aluminium cover profile for GPR1 side fastening profile



Code	Surface finishing
GPR1.SP	Brushed stainless anodized
GPR1.SPR	Bare aluminium

INFO: profile length 6 m

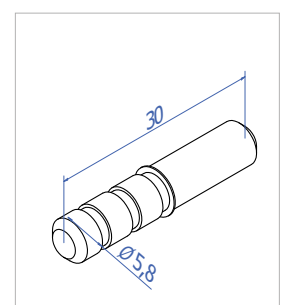


Connection dowel for GPR1 profiles



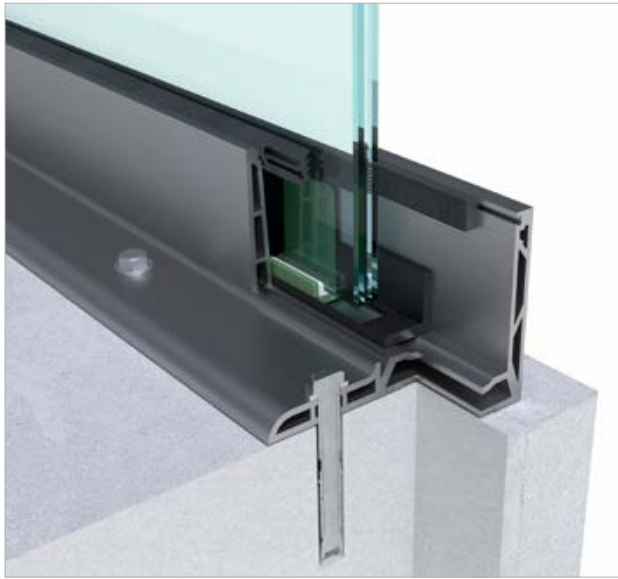
Code	Material
GPRD.DO	Stainless steel

INFO: 2 pcs per one profile connection

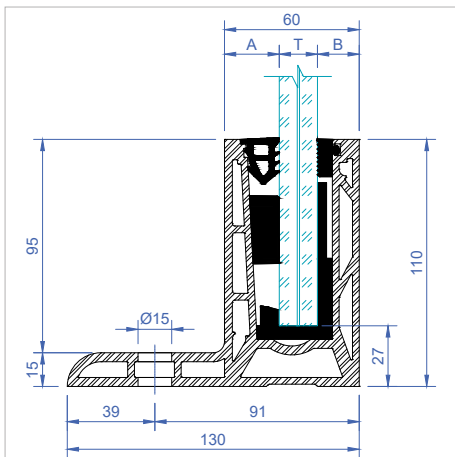
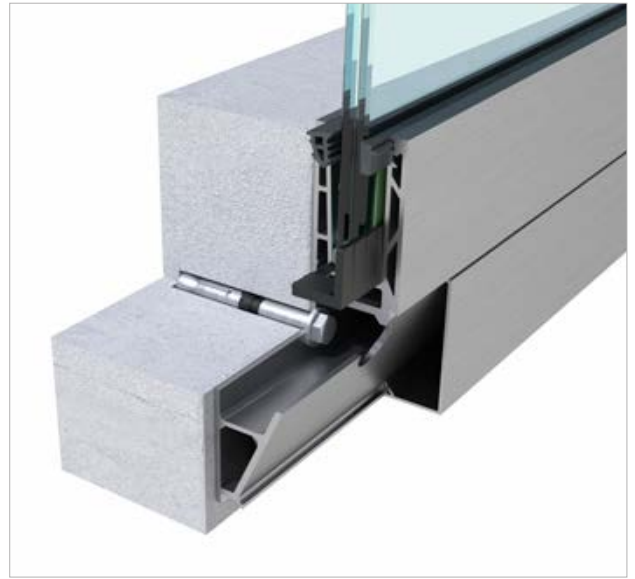


GPR1 full glass railing profile

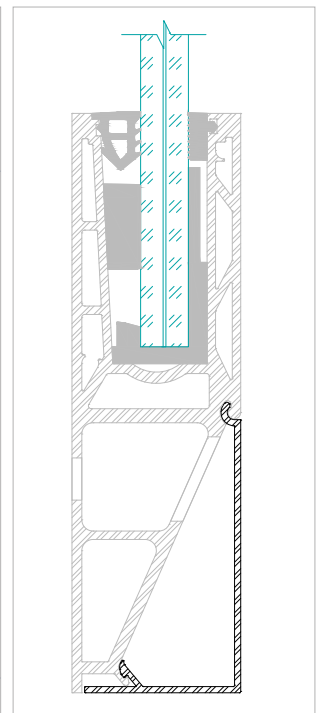
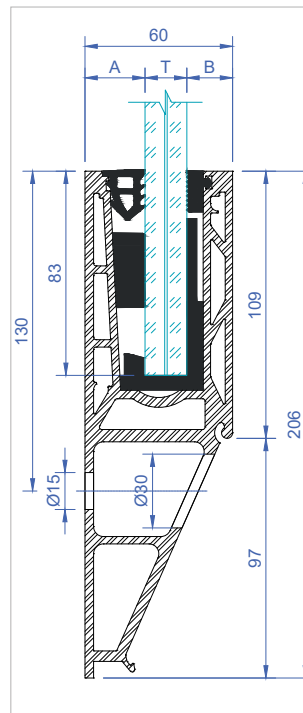
GPR1 adjustable F-profile



GPR1 adjustable Y-profile



Glass T	A	B
10	25	25
12	25	23
12.76	25	23
13.52	24	23
16.76	25	19
17.52	24	19
20.76	21	19
21.52	20	19

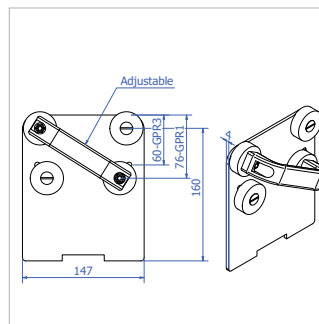


INFO: without finishing profile/with finishing profile

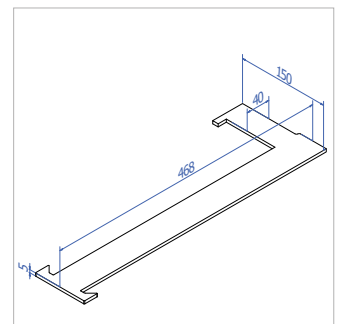
Code	Item
GPR1F	GPR1 adjustable F-profile
GPR1Y	GPR1 adjustable Y-profile
GPR1Y.SP	Y-profile finishing profile

GPR1/GPR3 installation tools

Code	Purpose
GPRD.TOOL1	Tool for levelling glass
GPRD.TOOL2	Tool for installing wedges



GPRD.TOOL1

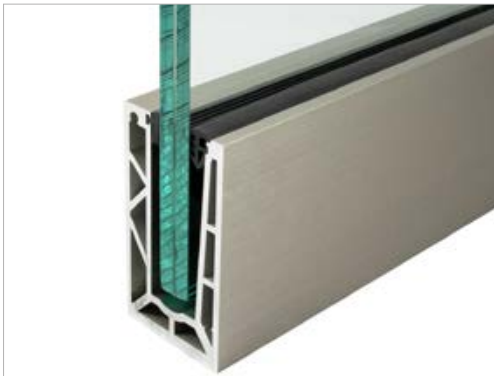


GPRD.TOOL2



GPR3 full glass railing profile

GPR3 – adjustable/rigid system for linear load up to 3 kN/m

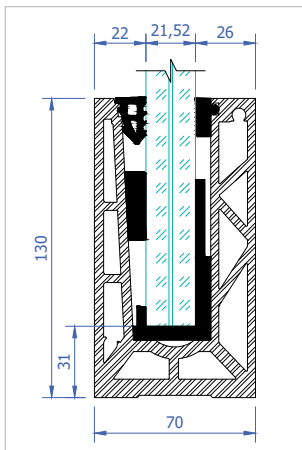


- Glass thicknesses (mm): 20.76; 21.52; 25.52
- 10+10 mm glass can be levelled in the profile, which significantly reduces installation time
- 12+12 mm glass is fastened with a rigid wedge which cannot be adjusted
- Profiles with bottom fastening and side fastening are available
- Spacing of the fastening openings is 200 mm
- Length of the profile is 6 m, custom measurements are available
- Surface finishing: brushed stainless anodized/bare aluminium/RAL powder coated
- Integrated drainage channel
- The system has been tested with a linear load of 4.5 kN/m

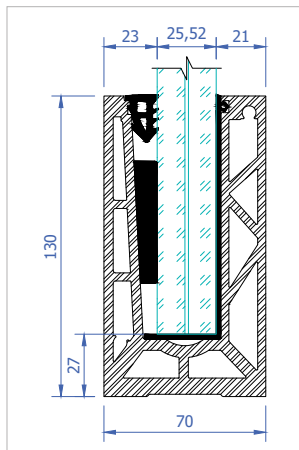
INFO: see video <https://www.youtube.com/user/RFIXproduction>

Measures of GPR3 system

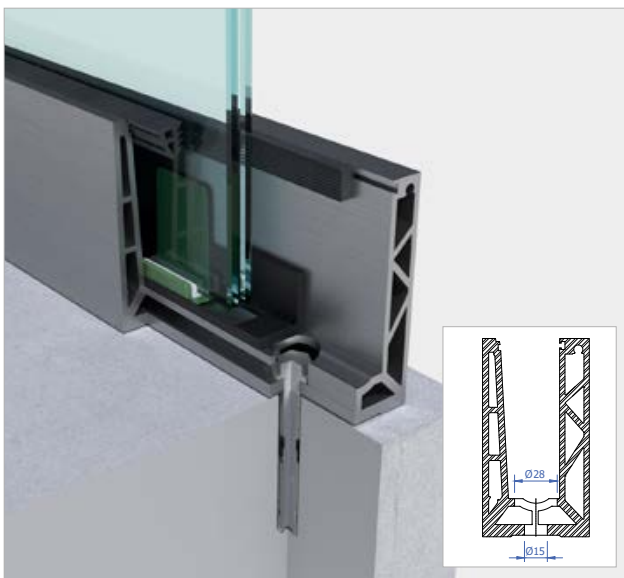
with 10+10mm glass



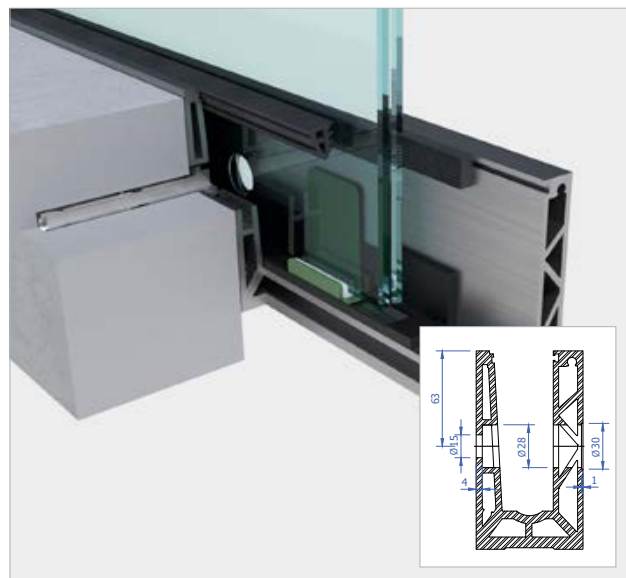
with 12+12 mm glass



GPR3 system with bottom fastening



GPR3 system with side fastening



Spacing of GPR3 fastening openings is 200 mm

Necessary fastening accessories: M12 wedge anchor/chemical anchor/concrete screw

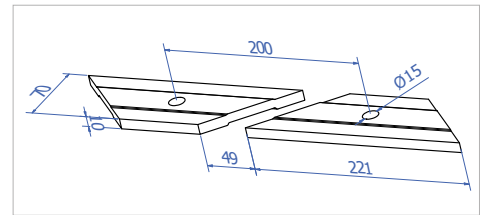
Accessories

Drainage block for GPR3 bottom fastening profile



Code	Material
GPRD.WD3	Aluminium, brushed stainless anodized

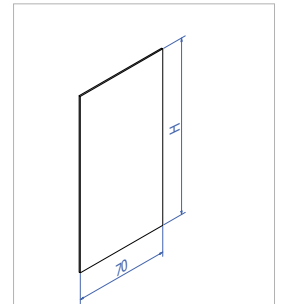
INFO: 5 pcs per metre. Raises the profile 10 mm higher from the floor.



GPR3 profile end plate



Code	Height H	Material
GPRD.EC3	130	Brushed stainless steel
GPRD.EC3S	185	Brushed stainless steel

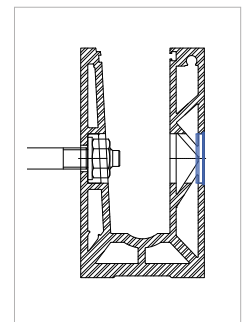
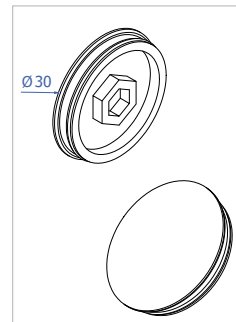


Cover cap for GPR3 side fastening profile



Code	Material	Surface finishing
GPRD.SC1	ABS plastic	Brushed stainless effect
GPRD.SC2	ABS plastic	Smooth, for RAL colour

INFO: 5 pcs per metre

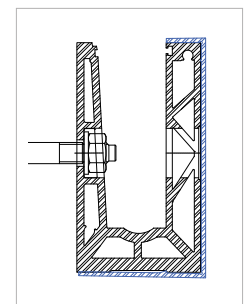
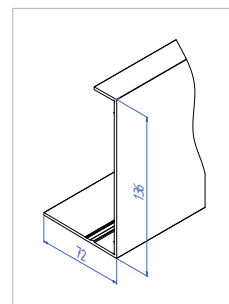


Aluminium cover profile for GPR3 side fastening profile



Code	Surface finishing
GPR3.SP	Brushed stainless anodized
GPR3.SPR	Bare aluminium

INFO: profile length 6 m

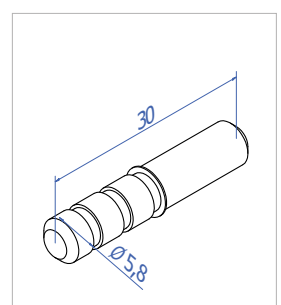


Connection dowel for GPR3 profiles



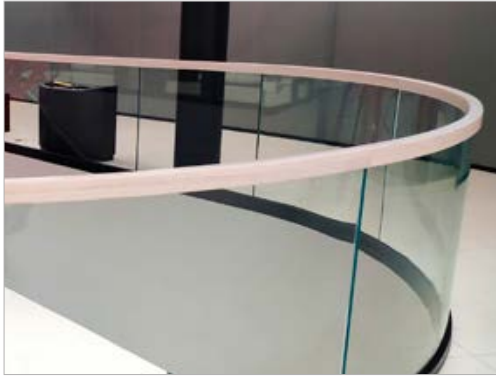
Code	Material
GPRD.DO	Stainless steel

INFO: 2 pcs per one profile connection



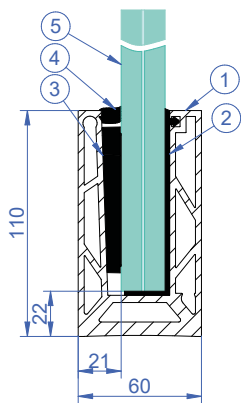
GP full glass railing profile

GP – bendable glass railing profile for linear load up to 1.5 kN/m



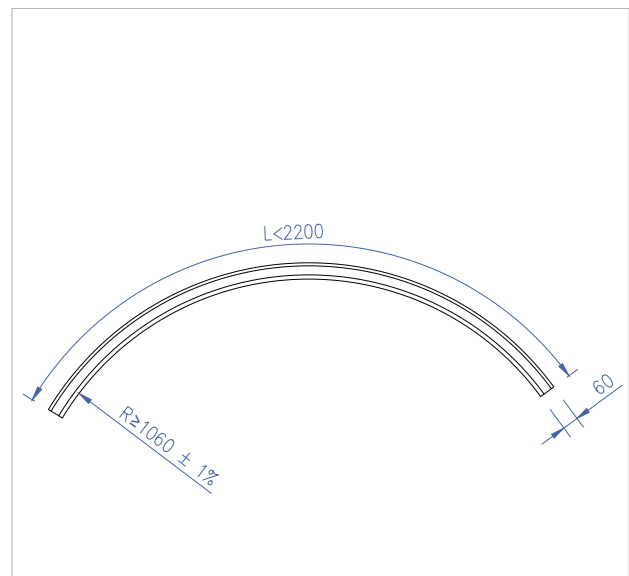
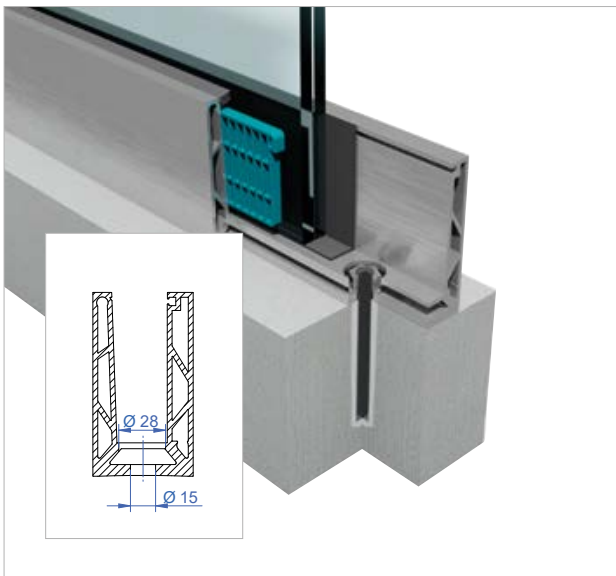
- Can be used with bent glasses
- Minimum radius 1060 mm
- Glass thicknesses (mm): 10; 12; 12.76; 13.52; 16.76; 17.52; 20.76; 21.52
- Milled bottom fastening openings of profile with spacing 200 mm
- Profile length 3 m, forming an arched section 2-2.2 m
- Surface finishing: bare aluminium/RAL powder coated
- The system has been tested.

System components



- 1 Aluminium profile
- 2 Rubber gasket supporting the glass pane
- 3 Two-component plastic wedge
- 4 Rubber gasket covering the wedges
- 5 Glass pane

System with bottom fastening



Required fastening fixtures

- Chemical anchor + M12 threaded rod (strength 8.8)
- M12 wedge anchor

Required profile fastening spacing

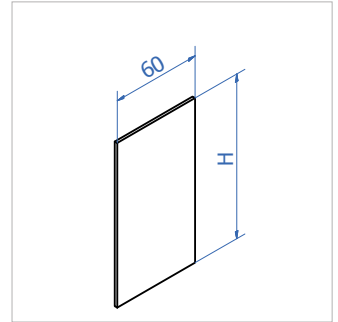
- 0.5 kN/m railing – 400 mm
- 1 kN/m railing – 200 mm
- 1.5 kN/m railing – 200 mm

Accessories

GP profile end plate



Code	Height H	Material
GPD.EC	110	Brushed stainless steel
GPD.ECS	155	Brushed stainless steel

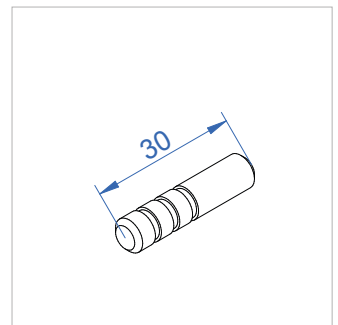


GP profile connection dowel



Code	Material
GPD.DO	Stainless steel

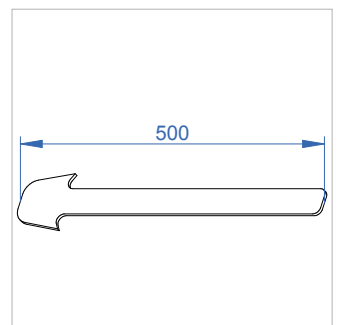
INFO: 2 pcs per one profile connection



Tool for installing GP profile wedges



Code
GPD.TOOL

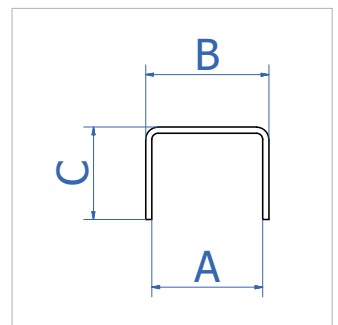


U-profile, to be glued onto the glass, L = 2.5 m



Code	A	B	C
GPD.U135	13.6	15.6	15
GPD.U175	17.6	19.6	19
GPD.U215	21.6	23.6	23

Material: Brushed stainless steel



R · FIX

www.rfix.eu