

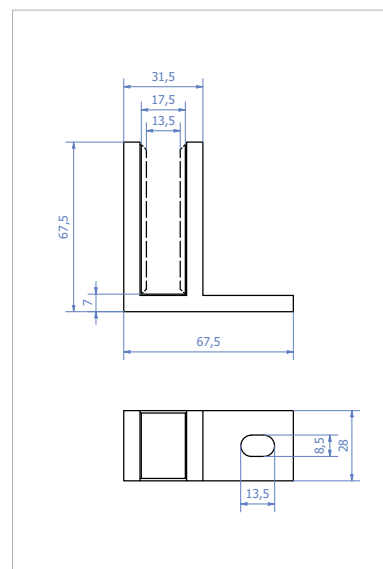
# Full glass railing clamps GCF

## Full glass railing clamp glass-wall



Code	Material
GCF1	stainless steel duplex 2205

INFO: Glass thickness 12-17.52 mm  
Does not need opening in the glass.

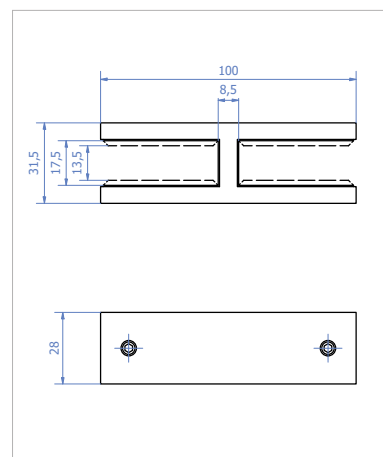


## Full glass railing clamp glass-glass 180°



Code	Material
GCF2	stainless steel duplex 2205

INFO: Glass thickness 12-17.52 mm  
Does not need opening in the glass.

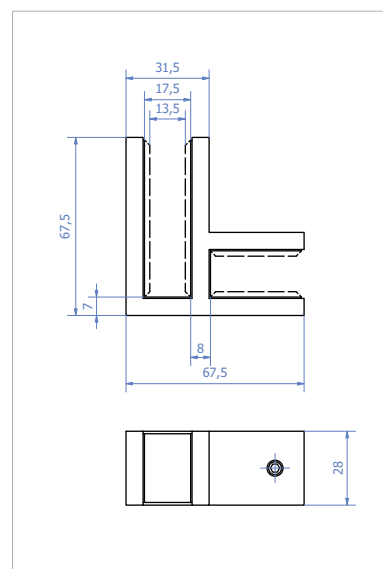


## Full glass railing clamp glass-glass 90°



Code	Material
GCF3	stainless steel duplex 2205

INFO: Glass thickness 12-17.52 mm  
Does not need opening in the glass.



## Glass clamps

### Glass clamp GC11

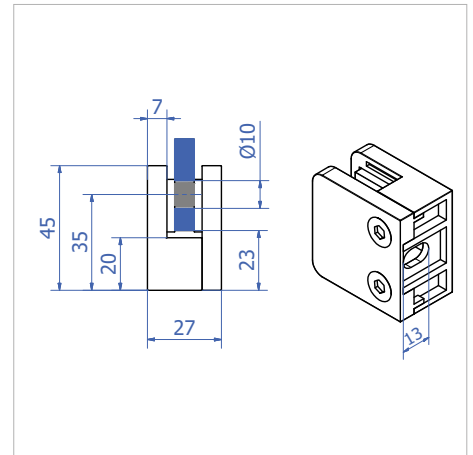


Code	Dimensions	Material
GC11.S4	45x45 mm	304
GC11.S16	45x45 mm	316
GC11.ZS	45x45 mm	zamak, SS-effect
GC11.ZR	45x45 mm	zamak, raw

INFO: Possibility to use safety plate.

The set includes glass seals and a safety pin.

Glass thickness: 6; 8; 8.76; 10; 10.76 mm



### Glass clamp GC12

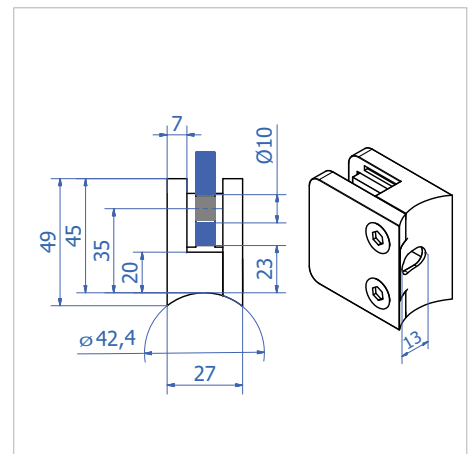


Code	Dimensions	Material
GC12.S4	45x45 mm	304
GC12.S16	45x45 mm	316
GC12.ZS	45x45 mm	zamak, SS-effect
GC12.ZR	45x45 mm	zamak, raw

INFO: Possibility to use safety plate.

The set includes glass seals and a safety pin.

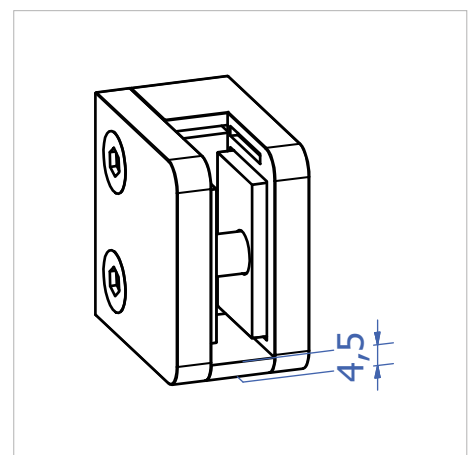
Glass thickness: 6; 8; 8.76; 10; 10.76 mm



### Safety plate for a clamp GC11 and GC12



Code	Material
GCP.S16	316
GCP.ZS	zamak, SS-effect
GCP.ZR	zamak, raw



# Glass railing with posts and accessories

## Glass clamps

### Glass clamp GC21

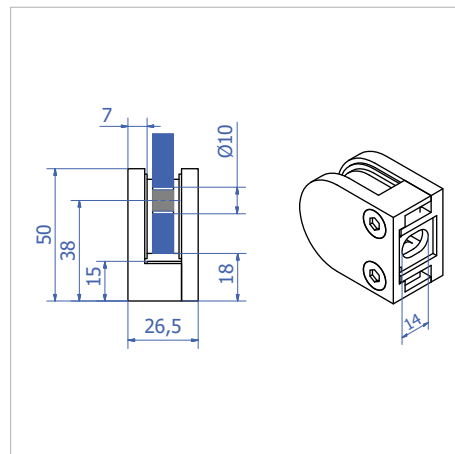


Code	Dimensions	Material
GC21.S4	50x40 mm	304
GC21.S16	50x40 mm	316

INFO:

The set includes glass seals and a safety pin.

Glass thickness: 6; 8; 8.76; 10; 10.76 mm



### Glass clamp GC22

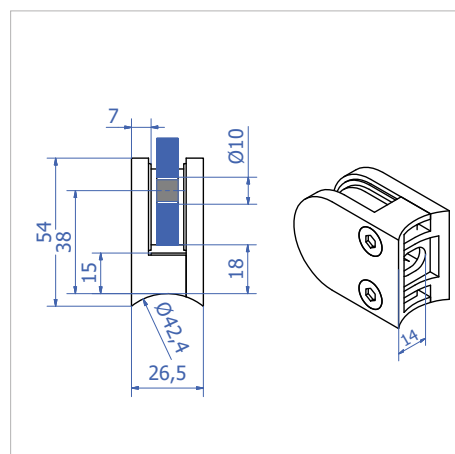


Code	Dimensions	Material
GC22.S4	50x40 mm	304
GC22.S16	50x40 mm	316

INFO:

The set includes glass seals and a safety pin.

Glass thickness: 6; 8; 8.76; 10; 10.76 mm



### Glass clamp GC91

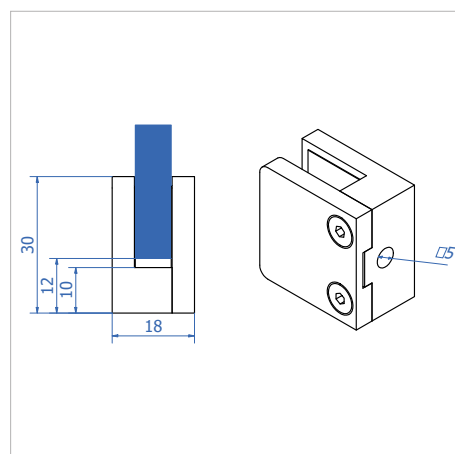


Code	Dimensions	Material
GC91.S4	30x30 mm	304

INFO: Cannot be used in load-bearing glass railings.

The set includes glass seals.

Glass thickness: 4; 6; 8 mm



## Glass clamps

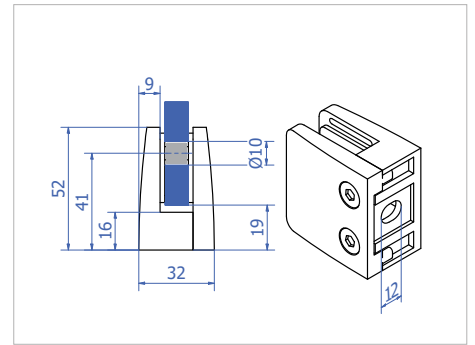
### Glass clamp GC31



Code	Dimensions	Material
GC31.S4	52x52 mm	304
GC31.S16	52x52 mm	316

INFO: The set includes glass seals, a safety plate and a safety pin.

Glass thickness: 8; 8.76; 10; 10.76; 12; 12.76; 13.52 mm



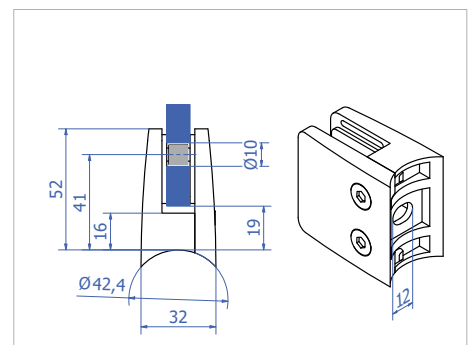
### Glass clamp GC32



Code	Dimensions	Material
GC32.S4	52x52 mm	304
GC32.S16	52x52 mm	316

INFO: The set includes glass seals, a safety plate and a safety pin.

Glass thickness: 8; 8.76; 10; 10.76; 12; 12.76; 13.52 mm



# Glass railing with posts and accessories

## Glass clamps

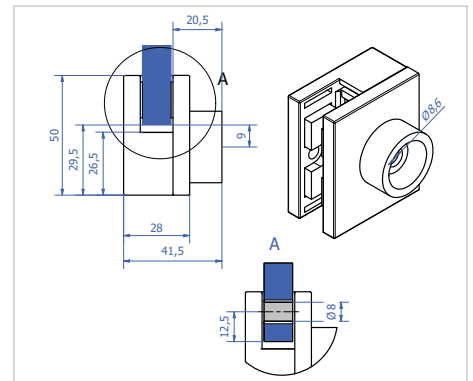
### Glass clamp GC51



Code	Material
GC51.S16	316

INFO: The set includes glass seals. Possibility to use safety plate.

Glass thickness: 8; 8.76; 10; 10.76; 12; 12.76 mm



INFO: The set does not include safety pins, available to order.

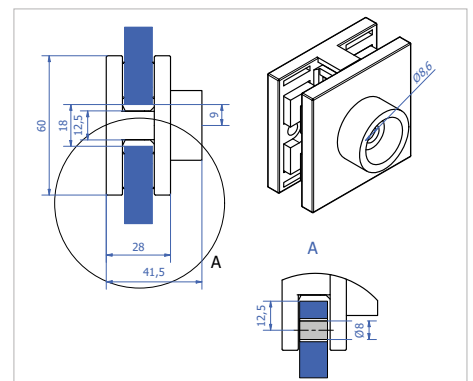
### Glass clamp GC52



Code	Material
GC52.S16	316

INFO: The set includes glass seals. Possibility to use safety plate.

Glass thickness: 8; 8.76; 10; 10.76; 12; 12.76 mm



INFO: The set does not include safety pins, available to order.

### Safety plate for GC5 clamps.



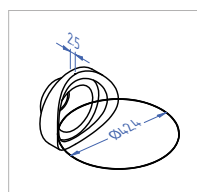
Code	Material
GC5P.S16	316



### Ø42.4 tube adapter for GC5 clamp



Code	Material
GC5A42.S16	316





French balcony with GC51 clamps



Glass railing with GC51 and GC52 clamps

**R · FIX**

[www.rfix.eu](http://www.rfix.eu)