



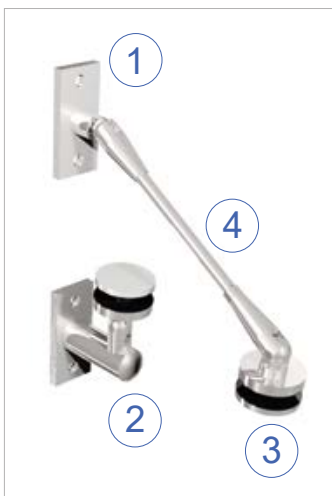
## Glass canopy system

## Aesthetic and durable glass canopy



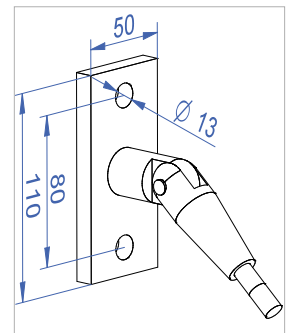
- The load-bearing capacity of the system meets the requirements of the Nordic climate.
- The system can be adjusted to the roofs with custom measures
- Can be used with heat-strengthened, laminated safety glass
- Glass thicknesses: 88.4 (17.5 mm), 1010.4 (21.5 mm), 1212.4 (24.5 mm)
- Standard depths of the glass from the wall 800-2000 mm
- All elements are machine-processed
- The material used is acid-resistant stainless steel **316** (EN 1.4404)

## RC1 – for attaching glass on the wall



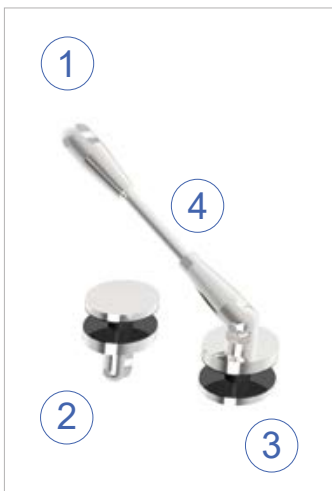
System components:

- 1 1 x upper wall fastener
- 2 1 x lower wall fastener
- 3 2 x glass point-fixing system
- 4 1 x tension rod (length as per the type)



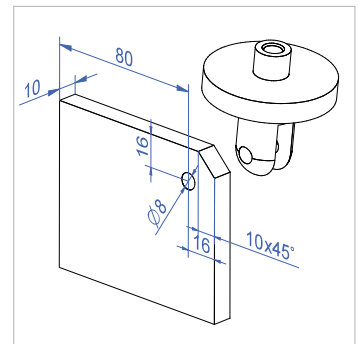
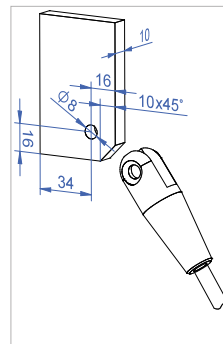
For fastening on the wall M12 A4 bolts are used.

## RC2 – for attaching glass on the mounting plates



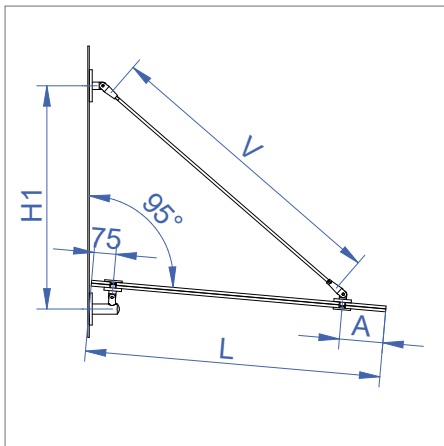
System components:

- 1 1 x upper fastening yoke
- 2 1 x lower fastening yoke
- 3 2 x glass point-fixing system
- 4 1 x tension rod (length as per the type)



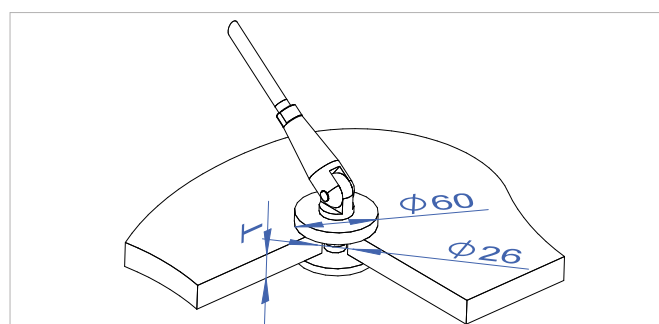
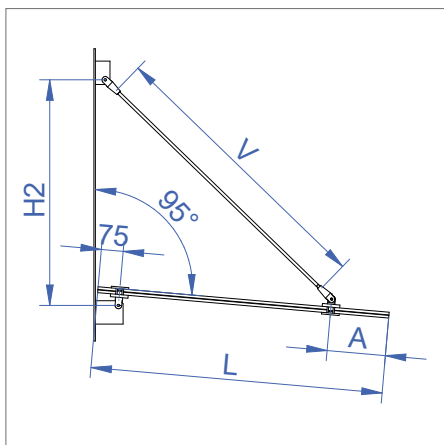
The system is attached to the plates with M8 bolts (included in the set).

## System dimensions RC1

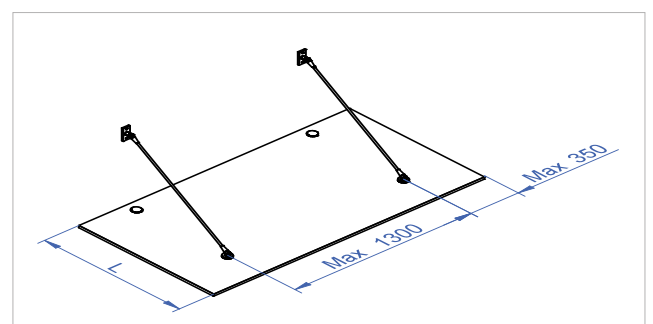


L, mm	H1 RC1	V	A	H2 RC2	T min
800	660	745	200	610	8+8
900	530	745	200	480	8+8
1000	790	995	200	750	8+8
1100	790	995	300	750	8+8
1200	670	995	300	620	8+8
1300	1240	1475	300	1200	8+8
1400	1140	1475	300	1100	8+8
1500	1040	1475	300	990	10+10
1600	970	1475	350	920	10+10
1700	1570	1975	350	1530	10+10
1800	1470	1975	350	1430	10+10
1900	1360	1975	350	1320	10+10
2000	1240	1975	350	1190	10+10

## System dimensions RC2



Opening in the glass



Max. pitch of holders

# Glass canopy system

## RC3 – bottom-supported glass canopy system



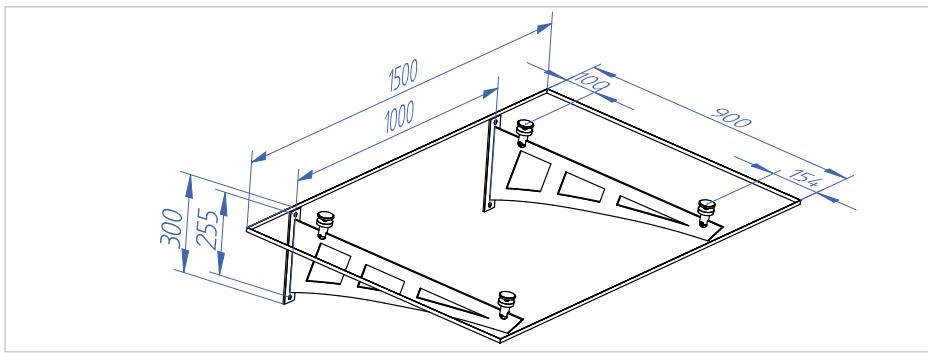
RC3 is meant to be used with smaller glass canopies in places where it is not possible to use tension rods.



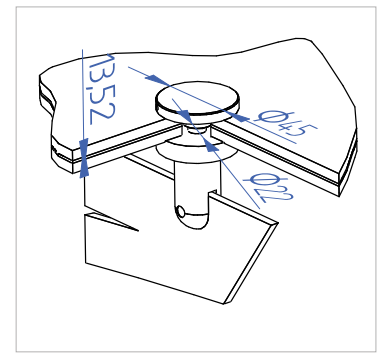
System components:

- 1 x lower glass holder
- 2 x glass point-fixing system

For fastening on the wall M12 A4 bolts are used. Recommended glass: 66.4 tempered/laminated



Max. pitch of holders for RC3 glass canopy is 1000 mm. Standard glass dimensions 1500 x 900 mm



Opening in the glass

**R · FIX**

[www.rfix.eu](http://www.rfix.eu)