



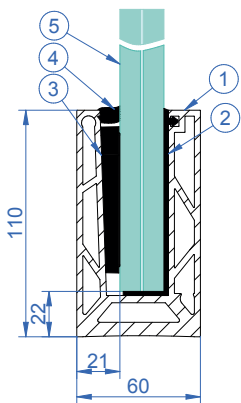
Full glass boundary system GP

Minimalistic glass boundary system



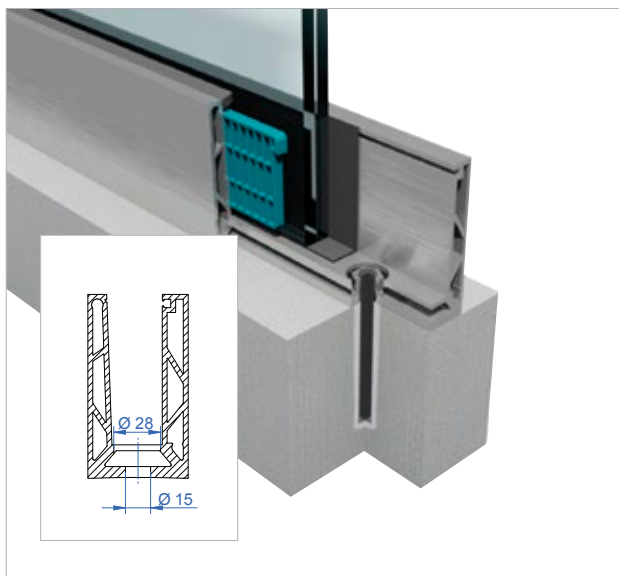
- Maximum load resistance of the boundary 1.5 kN/m
- Profile measures 60 x 110 mm
- Aesthetic surface finishing: brushed stainless steel effect
- Profile to be provided with milled fastening openings with spacing 200 mm
- Standard profile length 3000 mm
- Glass thickness (mm): 10; 12; 13.5; 17.5; 19.5; 21.5
- Fast fastening of glass panes with plastic wedges and special tool.
- The profile is also available in powder coated and/or bended form.

System components

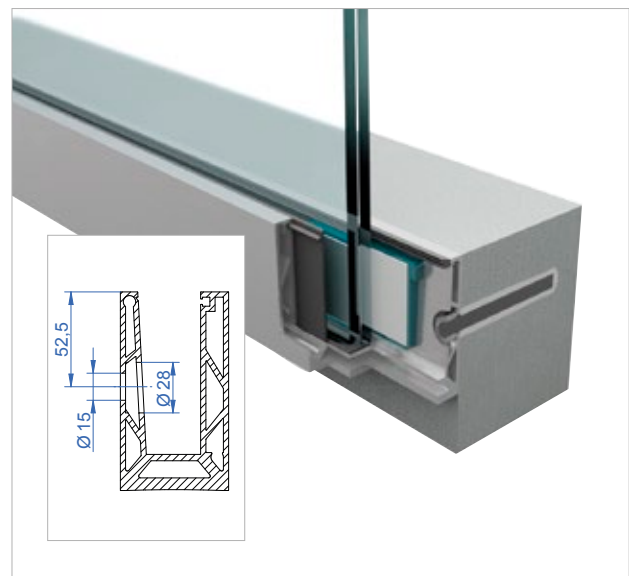


- 1 Aluminium profile
- 2 Rubber gasket supporting the glass pane
- 3 Two-component plastic wedge
- 4 Rubber gasket covering the wedges
- 5 Glass pane

System fastened in the bottom GP1



System fastened on the sides GP2



Required fastening fixtures

- Chemical anchor + M12 threaded rod (strength 8.8)
- M12 wedge anchor

Profile fastening spacing

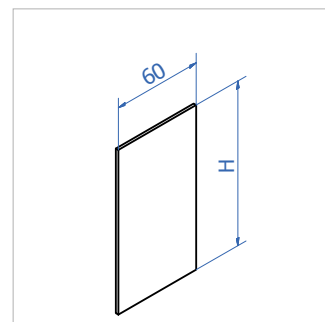
- 0,5 kN/m boundary – 400 mm
- 1 kN/m boundary – 200 mm
- 1,5 kN/m boundary – 200 mm

Accessories

Profile end plate



Code	Height H	Material
GPD.EC	110	Brushed stainless steel
GPD.ECS	155	Brushed stainless steel

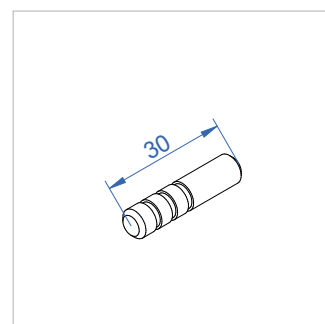


Profile connection dowel



Code	Material
GPD.DO	Brushed stainless steel

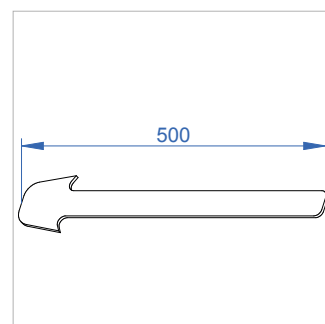
INFO: It is necessary to use 2 connection dowels for each connection point.



Tool for installing / removing wedges



Code
GPD.TOOL

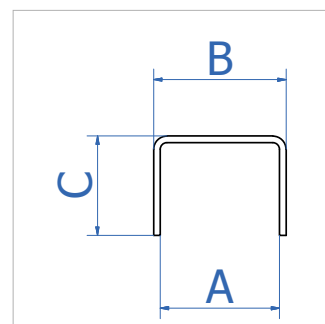


U-profile, to be glued onto the glass, length 2.5 m



Code	A	B	C
GPD.U135	13.6	15.6	15
GPD.U175	17.6	19.6	19
GPD.U215	21.6	23.6	23

Material: brushed stainless steel



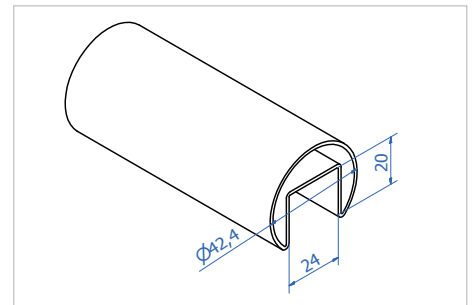
Handrail onto the glass

Ø42.4x1.5 slot tube



Code	Material
HRDS424.304	304
HRDS424.316	316

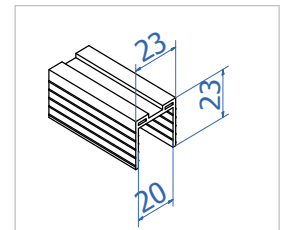
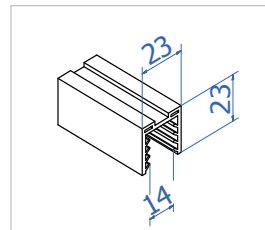
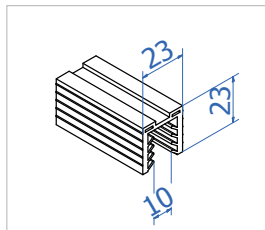
INFO: Surface finishing: brushed



Rubber seals for Ø42.4x1.5 slot tube



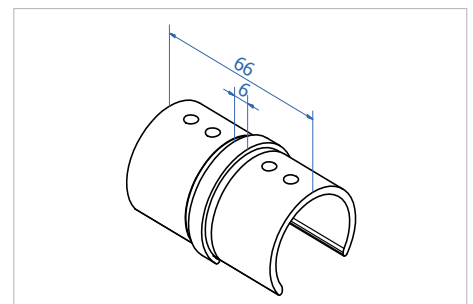
Code	Glass thickness
HRDS.R12	12-13.5 mm
HRDS.R16	16-17.5 mm
HRDS.R20	20-21.5 mm



Ø42.4x1.5 connector 180° for slot tube



Code	Material
HRDS.EG215	316

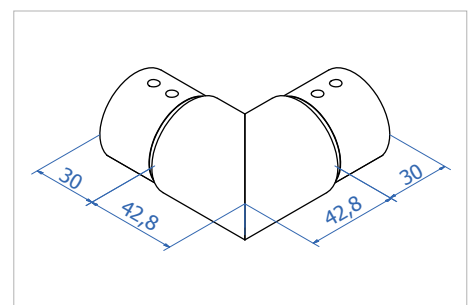


INFO: Use the glue HR.GLUE

Ø42.4x1.5 connector 90° for slot tube



Code	Material
HRDS.EG115	316



INFO: Use the glue HR.GLUE

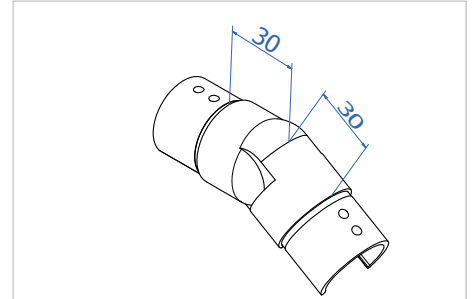
Full glass boundary system GP

Handrail onto the glass

Ø42.4x1.5 slot tube connector for the stair rise, upper



Code	Material
HRDS.EG815	316

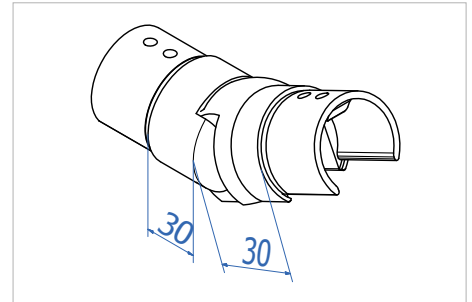


INFO: Use the glue HR.GLUE

Ø42.4x1.5 slot tube connector for the stair rise, lower



Code	Material
HRDS.EG915	316

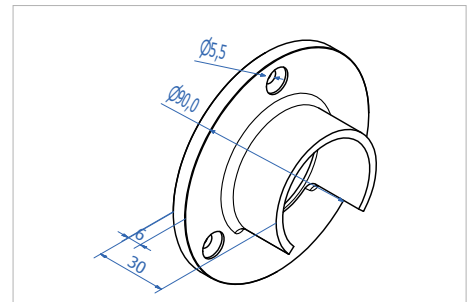


INFO: Use the glue HR.GLUE

Ø42.4x1.5 slot tube wall flange



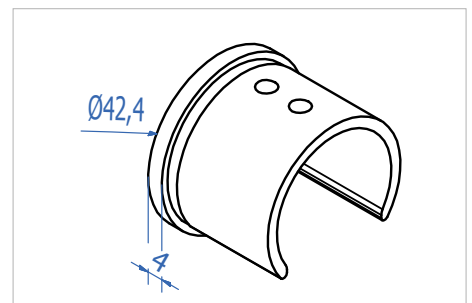
Code	Material
HRDS.EG515	316



Ø42.4x1.5 slot tube end cap



Code	Material
HRDS.EG315	316



INFO: Use the glue HR.GLUE